



Website: stottconcretepumping.co.uk

Stott Concrete Pumping Ltd

Maypole House Farm

Park Lane, Abram

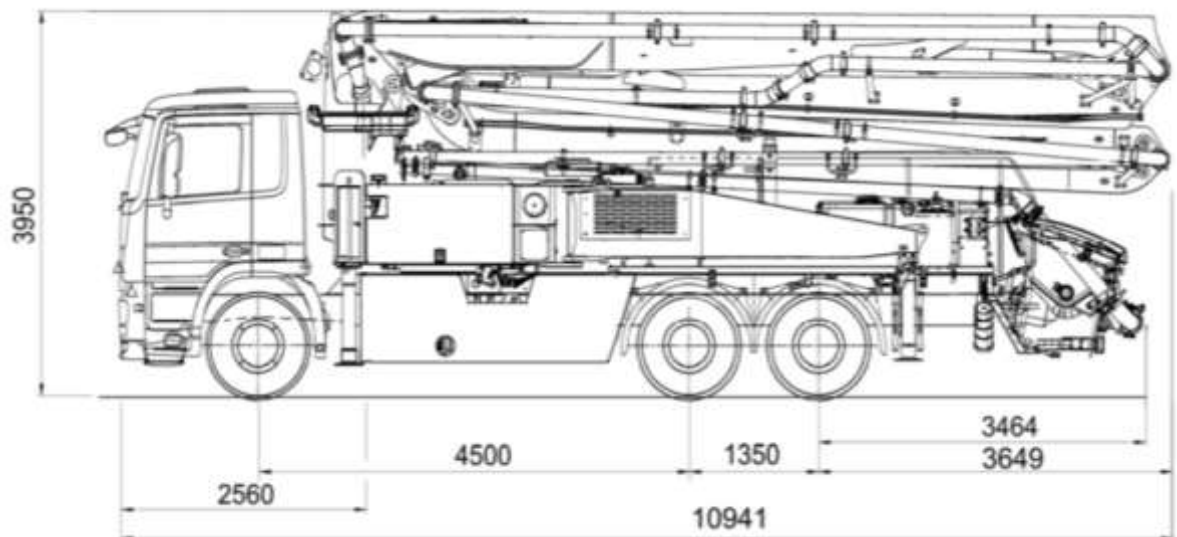
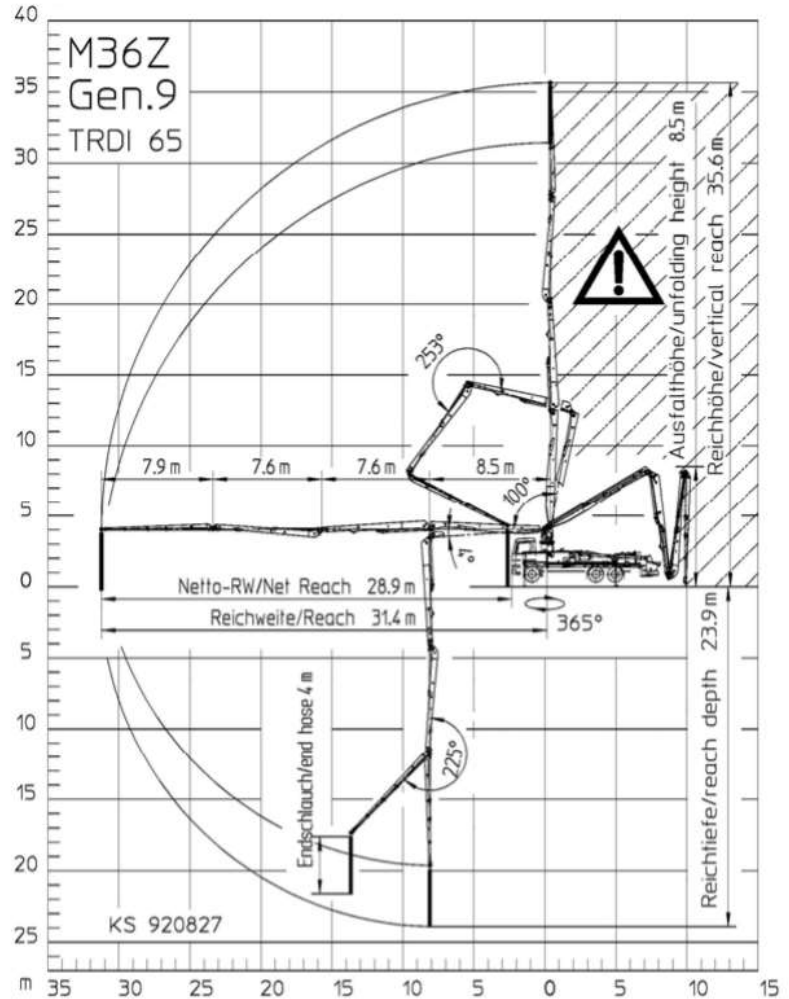
Wigan, WN2 5XA

Tel: 01942 497776

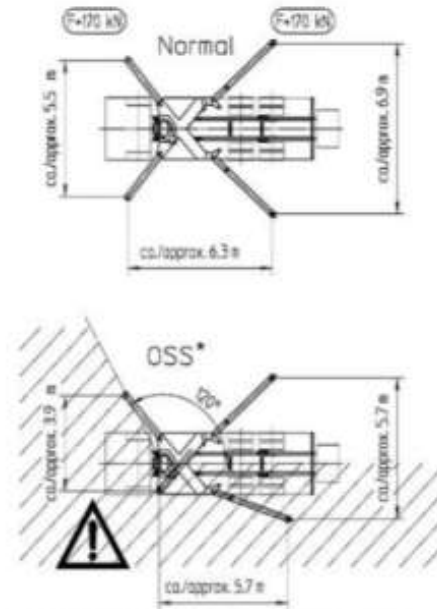
Accounts: 01942 498117

admin@stottconcretepumping.co.uk

**Putzmeister 36 metre
BSF36-4.16H.
Specification Sheet**



Boom	M36
Maximum vertical reach	35.6m
Maximum gross horizontal reach	31.7m
Maximum net horizontal reach	29.3m
Reach depth	23.7m
Minimum unfolding height	8.7m
Number of arms	4
Pipeline diameter	125mm
Pump length	11.3m
Front outrigger spread	6.3m (4.5m OSS)
Rear outrigger spread	6.3m (5.2m OSS)
<i>Dimensions given for guidance only</i>	



*) OSS not included in series range
OSS ist nicht im Serienumfang enthalten

